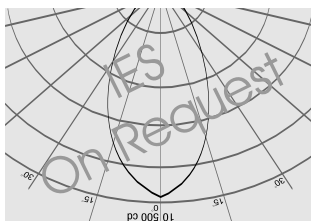
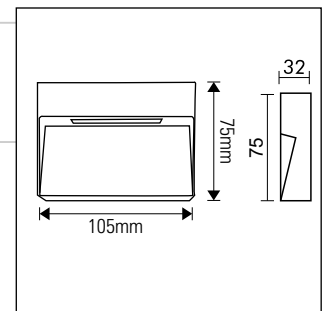
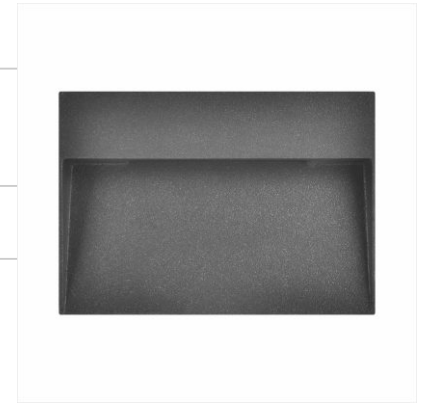


CATEGORY	Type : Outdoor Surface Floor Washer / Foot Light
PRODUCT CONSTRUCTION	Housing : Aluminum Die Cast Finish : Dark Grey Protection : IP65
DIMENSION	Diameter : Ø105x75mm Height : 32mm
OPTICAL SYSTEM	Type : Glass Beam Direction : Down Tilt : No Beam Angle : Asymmetrical Swivel : No Efficiency : High Material : PC
CONTROL	Switching Non Dimmable
ELECTRICAL PARAMETER / CHARACTERISTIC	Driver Input Voltage : 100-240V AC 50/60Hz Constant Current Input Power : 9W Output Power : 8W THD : <12% Power Factor : 0.95 Control Gear : Integrated
LED DETAIL	Light Source Type : SMD Light Source Make : Bridgelux Wattage : 8W Color Temp : 3000K Color Round Index (CRI) : >80 Lumen : 680lm Efficacy : 85lm/W LED Life : 40,000 Hrs.
APPLICATIONS :	Entrance / Exits Interior & Exterior steps Passages Staircases.



Project Detail: _____

Ref.: _____

Date : _____

Rev : _____

LED Collection

